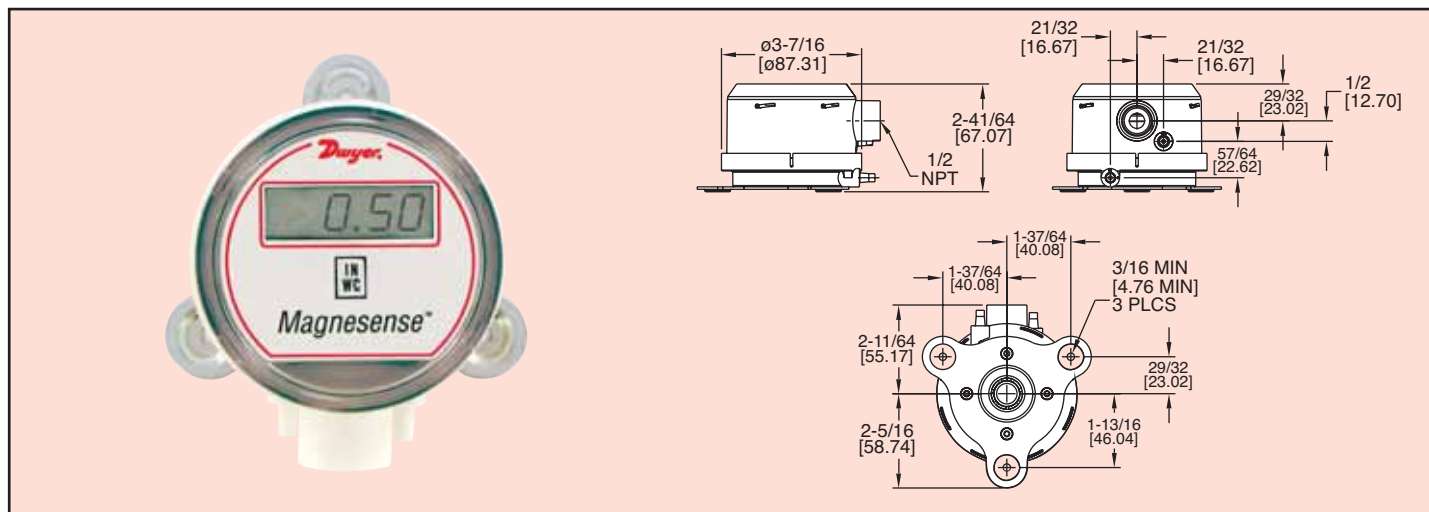


Series
MS

Magnesense™ Differential Pressure Transmitter

Monitors Pressure & Air Velocity



The Series MS Magnesense™ Differential Pressure Transmitter is an extremely versatile transmitter for monitoring pressure and air velocity. This compact package is loaded with features such as: field selectable English or metric ranges, field upgradeable LCD display, adjustable dampening of output signal (with optional display) and the ability to select a square root output for use with Pitot tubes and other similar flow sensors.

Along with these features, the magnetic sensing technology provides exceptional long term performance and enables the Magnesense™ to be the solution for a myriad of pressure and flow applications.

MODELS

Model Number	Output	Selectable Ranges
MS-121	4-20 mA	0.1", 0.25", 0.5" (25, 50, 100 Pa)
MS-321	0-10 V	0.1", 0.25", 0.5" (25, 50, 100 Pa)
MS-121-LCD	4-20 mA	0.1", 0.25", 0.5" (25, 50, 100 Pa)
MS-321-LCD	0-10 V	0.1", 0.25", 0.5" (25, 50, 100 Pa)
MS-111	4-20 mA	1", 2", 5" (200, 500, 1000 Pa)
MS-111-LCD	4-20 mA	1", 2", 5" (200, 500, 1000 Pa)

Accessories

A-435, Field Upgradeable LCD

SPECIFICATIONS

Service: Air and non-combustible, compatible gases.

Wetted Materials: Consult factory.

Accuracy: MS-X21: 0.5" w.c. & 0.25" w.c. ±1%, 0.1" w.c. ±2%.
100 Pa & 50 Pa ±1%, 25 Pa ±2%. MS-X11: 5" & 2" ±1%, 1" w.c. ±2%.
1000 & 500 Pa ±1%, 200 Pa ±2% (@ standard conditions).

Stability: ±1% F.S. / year.

Temperature Limits: 0 to 150°F (-18 to 66°C).

Pressure Limits: 1 psi maximum, operation; 10 psi, burst.

Power Requirements: 10 to 35 VDC (2-wire); 17 to 36 VDC or isolated 21.6 to 33 VAC (3-wire).

Output Signals: 4 to 20 mA (2-wire); 0 to 10 V (3-wire).

Response Time: Field adjustable 0.5 to 15 sec. time constant.

Provides a 95% response time of 1.5 to 45 seconds.

Zero & Span Adjustments: Digital push button.

Loop Resistance: Current Output: 0-1250Ω max. Voltage Output: min. load resistance 1 k Ω.

Current Consumption: 40 mA max.

Display (optional): 4 digit LCD.

Electrical Connections:

4-20mA, 2-Wire: European Style Terminal Block for 16 to 26 AWG.

0-10V, 3-Wire: European Style Terminal Block 16 to 22 AWG.

Electrical Entry: 1/2" NPS Thread.

Accessory: Cable Gland for 5 to 10 mm diameter cable.

Process Connections: 3/16" (5 mm) ID tubing. Maximum OD 9 mm.

Enclosure Rating: NEMA 4X.

Mounting Orientation: Diaphragm in Vertical position.

Weight: 8.0 oz (230 g).

Agency Approvals: CE.